

VITAFLOW 1802 - 6" LX

EDUCTOR

4" x 6" x 6"

Materials of Construction:

Body & Diffuser Bronze ASTM B62
 Nozzle Monel or 316 Stainless Steel

Connections:

All Flanges ANSI B16.24 Flat face
 (also available DIN or JIS type)

General Operating Data

Suction Capacity	Up to 950 GPM
Drive Pressure	50- 175 PSI
Drive Flow	Up to 1000 GPM
Suction Lift	UP to -20 Feet
Discharge Head	UP to 115 Feet

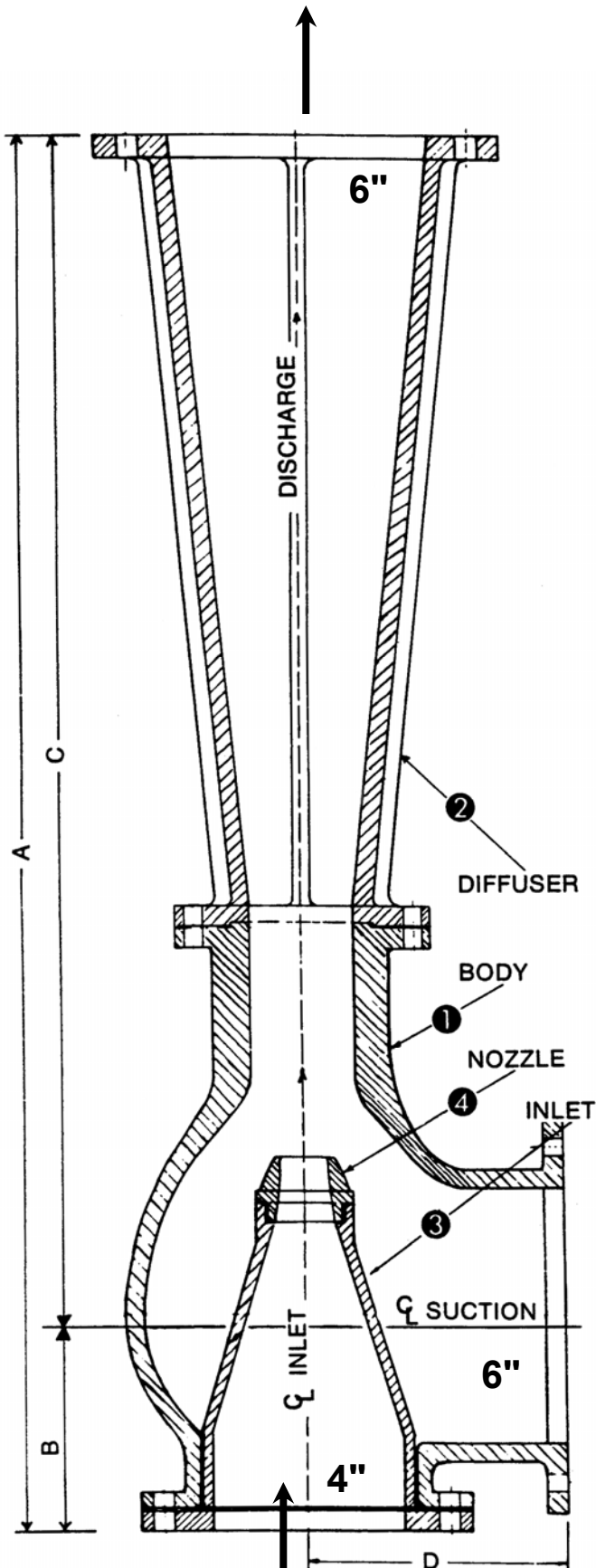
DIMENSION DATA

Dimensions

Inlet	4"	100
Suction	6"	150
Discharge	6"	150
"A"	46 ³ / ₄ "	1295
"B"	7"	178
"C"	39 ³ / ₄ "	1117
"D"	7"	178
Weight	300 lb	136 kg

FLANGE DATA ANSI B16.24 Flat Face

	Inlet	Suction	Discharge
I.D.	4"	6"	6"
O.D.	9"	11"	11"
# holes	8	8	8
B.C.	7 ¹ / ₂ "	9 ¹ / ₂ "	9 ¹ / ₂ "
Diam.	³ / ₄ "	.875"	.875"



VITAFLOW, LLC,
 576 N. Birdneck Rd, Unit 142, Virginia Beach,
 VA 23451, Michael Hume, COO,
 Ph: 904/316-5774, mhume@vitaflow.com

