

VM 1316-1½" TYGER DRAFT Portable Drafting Eductor



The V.M. # 1316-1½" TYGER Portable Water Eductor will provide a water supply in the absence of functioning fire hydrants. This is accomplished by drafting water from swimming pools, lakes, streams, reservoirs, and other alternate water sources. The Eductor appliance may be utilized where the distance from a water source makes it impractical to draft with hard suction hose. The secondary purpose for the eductor is dewatering basements, boats, tanks etc.

VM TYGER Portable Water Eductors are available as stand-alone eductors, as well as in "KIT" form which include Inlet, Suction & Discharge Hoses.

Materials of Construction:

- Body & Diffuser: Aluminum**
 - Nozzle: 316 Stainless Steel
- **Note: 356-T6 Aluminum castings are hard coat anodized & powder coated.

Connections:

- All NPT Threaded Connections

General Characteristics

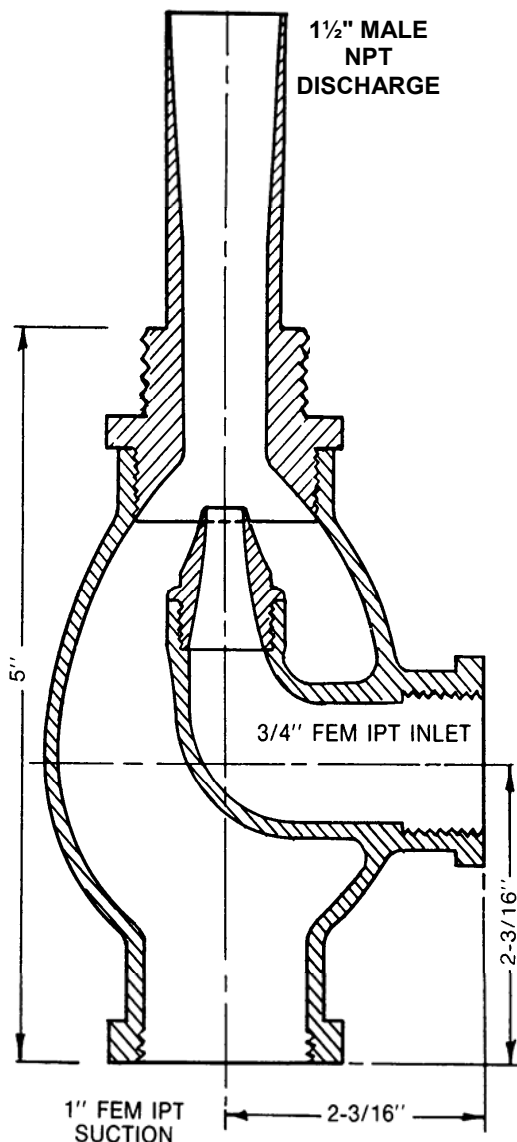
- Suction Capacity 5-10 GPM
- Suction Lift Up to -20 Feet
- Discharge Head 10-70 Feet
- Motive Pressure 75 – 150 PSI
- Motive Quantity Up to 50 GPM
- Weight 1.5 Lbs

Suggested Uses – Fire Departments

1. Wild land Structure Protection
2. Drafting water from remote water supply
3. Dewatering basements, boats, tanks, etc.
4. Refilling Strike team

Suggested Uses – Marine Departments

1. Keeping bottoms dry during tank or hold washing operation
2. Pumping water out of holds during firefighting operations.



OPTIONAL / SPARE ITEMS

- Optional barrel Suction Strainer
- Tyger Kit includes inlet, suction & Disch. Hose
- Spare Nozzles available.
- This Eductor is also available in Bronze



V.M. #1316-1" Portable Eductor Kit

Vita Motivator Co. TYGER DRAFTING EDUCTOR



V.M. #1316-1" Portable Eductor Kit