

VM # 1554-4" TYGER

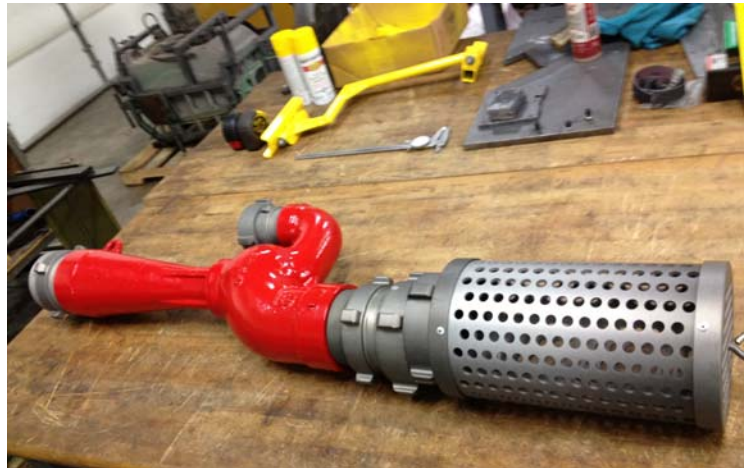
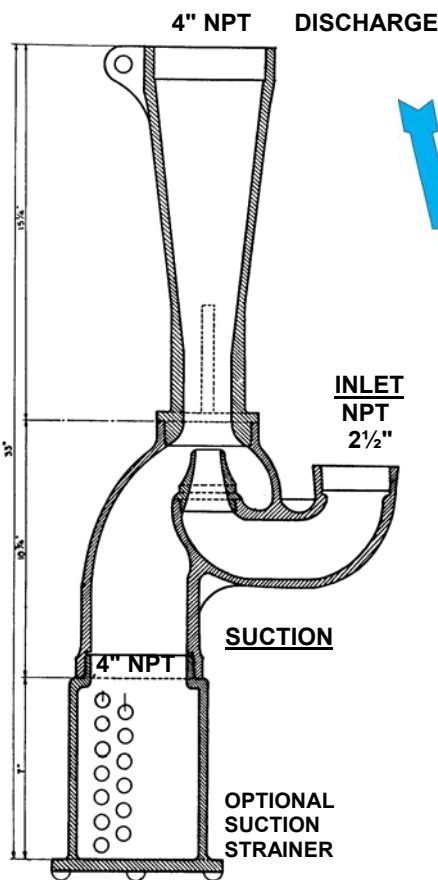
Portable Eductor Kit

The VM # 1554-4" Portable Eductor is used on board tankers, oil rigs, and vessels of all types. The portable ejector is used to remove liquids from tanks, sumps, pits, and cargo and ballast spaces. This eductor allows access to inaccessible spaces.

Suggested uses include:

- Keeping tank bottoms dry during tank or hold washing operations
- Pumping water out of holds during firefighting operations
- Regular or emergency pumping of liquids in ballast, bilge or cargo.
- Powered by water pressure or the same liquid as suction fluid

This model can be lowered directly into the liquid to be suctioned. Or a length of suction hose can be attached. This model is available with an optional non-return valve and optional strainer. It can be furnished with hose barb couplings. BSP or NPT or JIS threads, Storz adapters or cam-lock quick coupling.



TYGER Portable Ejector Kit – includes...

- 1 pc. V. M. # 1554-4" Bronze Eductor with Monel Nozzle & Spare Nozzle
- 1 pc. INLET HOSE – Fire “Motive Pressure” Hose, 75’ (23M) x 2½” with brass (NPT) couplings to attach to eductor inlet
- 1 pc. SUCTION HOSE - Non-Collapsible PVC Full Vacuum Hose, 20’ (6 M) x 4” with brass coupling to attach to eductor suction.
- 1 pc. DISCHARGE HOSE – PVC (or) Heavy Duty EPDM Rubber Water Discharge Hose 75’ (23 M) x 4” with Brass coupling for eductor discharge.

Flow Data	Suction Capacity	Suction Lift	Discharge Head	Motive Head	Motive Flow
	Up to 350 GPM Up to 80 M3/H	Up to -20 Feet Up to -6 Meters	Up to 80 Feet Up to 24 Meters	50 -150 PSI 4 – 10 Bar	200 – 350 GPM 45 – 80 M3/H

Materials of Construction	Item Description	Standard	Optional Materials
	BODY & Diffuser	Aluminum	Bronze
	Nozzle	Monel	316 Stainless Steel,
	Non-Return Valve & Suction Strainer	-----	Bronze, 316 Stainless Steel

Connections	DESCRIPTION	STANDARD EDUCTOR	Optional Connections
	Inlet	2½" NPT Female Thread	NST, BSP threads, Hose barb, cam-lock
	SUCTION	4" NPT Female Thread	NST, BSP threads, Hose barb, cam-lock
	DISCHARGE	4" NPT Female Thread	NST, BSP threads, Hose barb, cam-lock

PUMP IT DRY – with V.M. EDUCTORS

PUT A VM TYGER IN YOUR TANKER