

VM # 250-2"L TYGER

Portable Eductor Kit

The **V.M. # 250 - 2"L TYGER Portable Eductor** is used on board tankers, oil rigs, and vessels of all types. The portable ejector is used to remove liquids from tanks, sumps, pits, and cargo and ballast spaces. This small eductor allows access to inaccessible spaces. Suggested uses include:

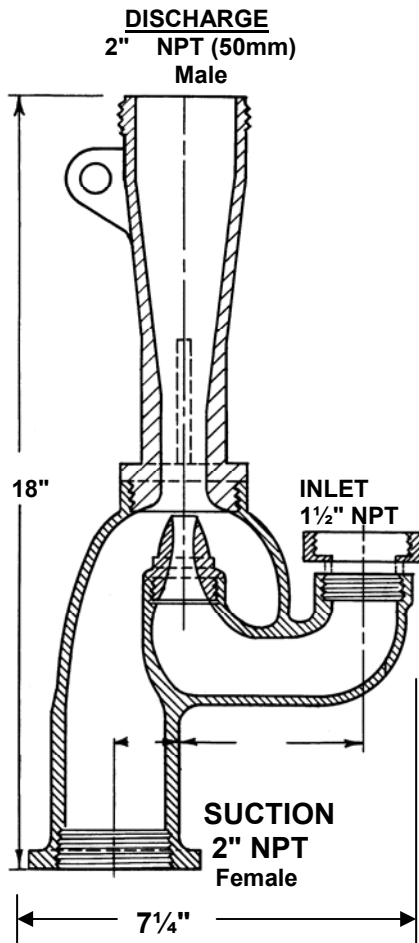


1. Keeping tank bottoms dry during tank or hold washing operations
2. Pumping water out of holds during firefighting operations
3. Regular or emergency pumping of liquids from ballast, bilge or cargo spaces
4. Powered by water pressure or the same liquid as suction fluid

This model can be lowered directly into the liquid to be suctioned. Or a length of suction hose can be attached. This model is available with an optional non-return valve and optional strainer. It can be furnished with hose barb couplings. BSP or NPT or JIS threads, Storz adapters or cam-lock quick coupling. The TYGER Ejector kit is complete with inlet, suction and discharge hoses and couplings.

TYGER Portable Ejector Kit – includes...

- 1 pc V.M. # 250-2"L Bronze Eductor with Monel Nozzle
- 1 pc V.M. INLET HOSE – Fire “Motive Pressure” Hose, 75’ (23M) x 1½” with brass (NH) couplings for eductor inlet
- 1 pc V.M. SUCTION HOSE - Non-Collapsible PVC Full Vacuum Hose, 20’ (6 M) x 1¼” with brass coupling for eductor suction
- 1 pc V.M. DISCHARGE HOSE – Mill-Type water discharge hose, Lay Flat type 75’ (23 M) x 2” with Brass coupling for eductor discharge
- 1 pc V.M. SPARE MONEL NOZZLE
- 1 pc On – Off Ball Valve for shut off



Flow Data	Suction Capacity Up to 100 GPM Up to 23 M3/H	Suction Lift Up to -20 Feet Up to -6 Meters	Discharge Head Up to 110 Feet Up to 33 Meters	Motive Pressure 50 -150 PSI 3 – 10 Bar	Motive Flow 80 -220 GPM 18 – 40 M3/H
Materials of Construction	ITEM DESCRIPTION BODY & DIFFUSER Nozzle Non-Return Valve Strainer	Standard Bronze Monel ----- -----	OPTIONAL MATERIALS Stainless Steel, Ni-Alum, Aluminum 316 Stainless Steel, Bronze, 316 Stainless Steel Bronze, 316 Stainless Steel		
Connections	DESCRIPTION INLET SUCTION DISCHARGE	STANDARD EDUCTOR 1½” NPT Female Thread 2” NPT Female Thread 2” NPT Male Thread	Optional Connections BSP threads, Hose barb, cam-lock BSP threads, Hose barb, cam-lock BSP threads, Hose barb, cam-lock		

PUMP IT DRY – WITH V.M. EDUCTORS – “PUT A TYGER IN YOUR TANKER”